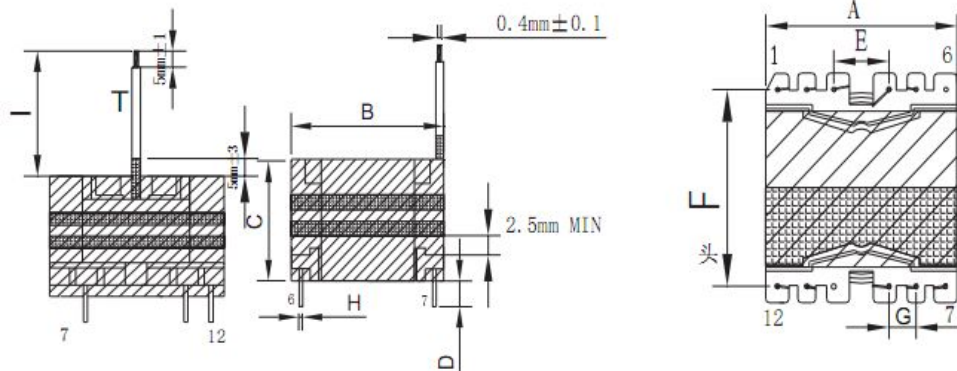


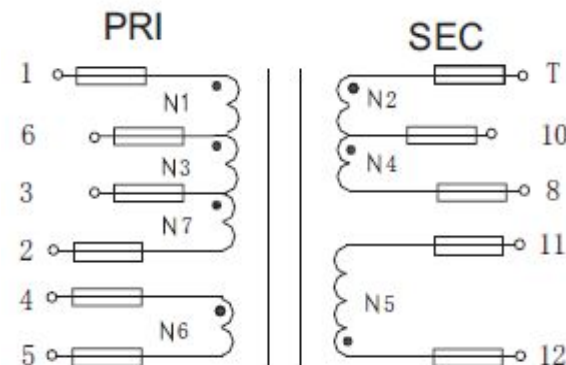
CUSTOMER TERMINAL	ROHS	Lead(Pb)-free
	YES	YES

## 1. Mechanical Dimensions



A	35.0	MAX
B	35.0	MAX
C	23.5	MAX
D	3.5	±0.5
E	7.6	±0.3
F	30.0	±0.4
G	5.0	±0.2
H	0.80	±0.1
I	43.0	±2.0

## 2. Schematic Diagram



## 3. Material List

Core:FW44 PQ3220  
 Bobbin:FWB3201-1(6+6PIN)  
 Wire:2UEW TIW  
 Copper foil:0.025t\*8.0mm  
 Operating Temperature: -30 to115 °C

## 4. Electrical Specification

Inductance :  $L(1-2):1.4mH \pm 5\%$  30KHZ , 1.0V  
 Leakage Inductance :  $8\mu H$  MAX 30KHZ , 1.0V  
 DCR :  $(1-2)=0.54\Omega$  MAX  $(8-T)=0.528\Omega$  MAX  
 Hi-Pot:P-S: AC 60Hz 4000V 2mA 3S  
 P-CORE: AC 60Hz 500V 2mA 3S

REV.	DATE	 Convention Placement	DRW.		Drawing Title:	Part No:
0	00/00		CHK.			
				APP.		Customer P/N

**ROHS**

[www.ferriwo.com](http://www.ferriwo.com)